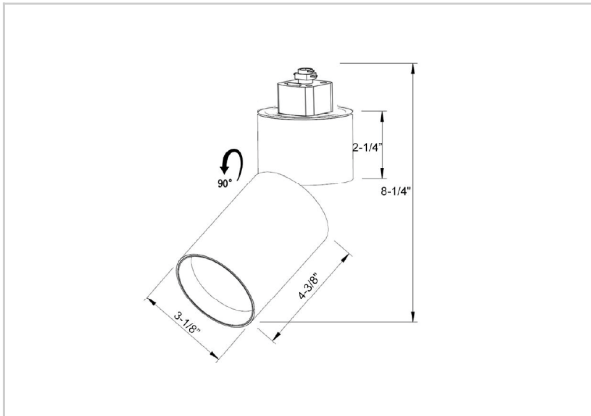


# Prime Track Lights

ITEM SKU#: 662187490762



## Product Code : IK-RPRIMETL-20W-27K-WH-90C-24D

|                    |                          |
|--------------------|--------------------------|
| Voltage            | 100 - 277 V AC, 50-60 Hz |
| Lumen Output       | 1735.61lm                |
| Power              | 20W                      |
| Efficacy           | 140lm/w                  |
| CCT                | 2700K                    |
| CRI                | >90                      |
| Beam Angle         | 24°                      |
| Light Distribution | Medium                   |
| LED Type           | COB                      |
| LED Light Source   | Osram SOLERIQ S 19       |
| Start Time         | Instant                  |
| Driver             | Stand Alone (included)   |
| Operating Position | Swiveling Type           |
| Dimming            | Triac Dimming            |
| Construction       | Track                    |
| Mounting Type      | Track Light Structure    |
| Heads              | Single Head              |
| Body Material      | Aluminium Die cast       |
| Finish             | White                    |
| Length             | 4-3/8"                   |
| Height             | 8-1/4"                   |
| Diameter           | 3-1/8"                   |
| Application Area   | Indoor Applications      |



### Beam Spread (Options)

| Spot 11° |      | Medium 24° |      | Flood 36° |       |
|----------|------|------------|------|-----------|-------|
| ft       | Ø    | ft         | Ø    | ft        | Ø     |
| 3.0      | 0.72 | 3.0        | 1.41 | 3.0       | 2.03  |
| 9.0      | 2.15 | 9.0        | 4.22 | 9.0       | 6.09  |
| 15.0     | 3.58 | 15.0       | 7.04 | 15.0      | 10.15 |

Prime is a technologically advanced LED track light with incorporated electronic gear and chip on board. It also has a high-quality reflector with three different beam spreads. Moreover, the lamp housing of die-cast aluminum for optimal cooling allows the fixture to last longer than its traditional counterparts.

## Technical Data

[IES File Link](#) ↓

[Installation Instructions Link](#) ↓